

AC7006D Datasheet

Zhuhai Jieli Technology Co.,LTD

Version: 1.1

Date: 2021.08.03

Copyright © Zhuhai Jieli Technology Co.,LTD. All rights reserved.

AC7006D Features

CPU

- 32bit Dual-Issue DSP
- Up to 160MHz programmable processor
- With IEEE754 Single precision FPU
- With cordic accelerate engine
- Advanced debug with 8 hardware breakpoints/watchpoints
- Advanced system execution capture unit

Interrupt

- Support for up to 64 interrupts with 8 priority level
- NMI supported
- SWI supported, with configurable priority
- Low power wake up by polling pending 12 IO interrupts for low power wake up

DSP Audio Processing

- SBC, AAC Audio decodes supported for BT audio
- mSBC voice codec supported for BT phone
- Supports MP2, MP3, WMA, APE, FLAC, AAC, MP4, M4A, WAV, AIF, AIFC audio decoding
- Packet Loss Concealment (PLC) for voice processing
- Single/Dual MIC Environmental Noise Cancellation (ENC)
- Multi-band DRC limiter
- 20-band EQ configuration for voice Effects

Audio Codec

- Two channels 24-bit DAC, SNR \geq 103dB
- Two channels 24-bit ADC, SNR \geq 92dB
- DAC Sampling rates of 8kHz/11.025kHz/16kHz/22.05kHz/24kHz/32kHz/44.1kHz/48kHz/64kHz/88.2kHz/96kHz are supported
- ADC Sampling rates of 8kHz/11.025kHz/16kHz/22.05kHz/24kHz/32kHz/44.1kHz/48kHz are supported

- Two analog MIC amplifier, build-in MIC bias generator
- Supports Four PDM digital MIC inputs
- Two channels analog AUX
- Supports cap-less, single-ended, and differential mode at the DAC path
- Supports 16ohm and 32ohm Speaker loading

Bluetooth

- Compliant with Bluetooth V5.3+BR+EDR+BLE specification
- Meet class2 and class3 transmitting power requirement
- Support GFSK and DQPSK all packet types
- Provides a maximum +10dbm transmitting power
- EDR receiver with -94dBm sensitivity
- Fast AGC for enhanced dynamic range
- Supports a2dp\avctp\avdtp\avrcp\hfp\spp\smpt\att\gap\gatt\rfcomm\sdpl2cap profile
- a2dp 1.3.2\avctp 1.4\avdtp 1.3\ avrcp 1.6.2\hfp 1.8 \spp 1.2\rfcomm 1.1\pnp 1.3\hid 1.1.1\sdpcore5.3\l2cap core 5.3

Peripherals

- One full speed USB 2.0 OTG controller
- Six multi-function 32-bit timers, support capture and PWM mode
- Three full-duplex basic UART, UART0、UART1 support DMA mode
- One hardware IIC interface supports host and device mode
- Three Built-in low power Cap Sense Keys
- LED controller, support 2 LED control by one IO
- 10-bit ADC for analog sampling
- External wake up/interrupt on all GPIOs
- Crossbar IO support: timer\SPI\SDC\IIC \UART\RDEC\ALINK\PLINK

PMU

- Low voltage LDO and DC-DC for internal digital and analog circuit supply
- Less 2uA current consumption in the soft-off mode
- Built-in LDO and DC-DC for the core, I/O, Bluetooth and flash
- VBAT is 2.2V to 4.4V
- VDDIO is 2.2V to 3.6V

Packages

- QFN32(4mm*4mm)

Temperature

- Operating temperature: -40°C to +85°C
- Storage temperature: -65°C to +150°C

Applications

- Bluetooth TWS Earphones

Confidential

The information contained herein is the exclusive property of JIELI and shall not be distributed, reproduced, or disclosed in whole or in part without prior written permission of JIELI.

1、 Pin Definition

1.1 Pin Assignment

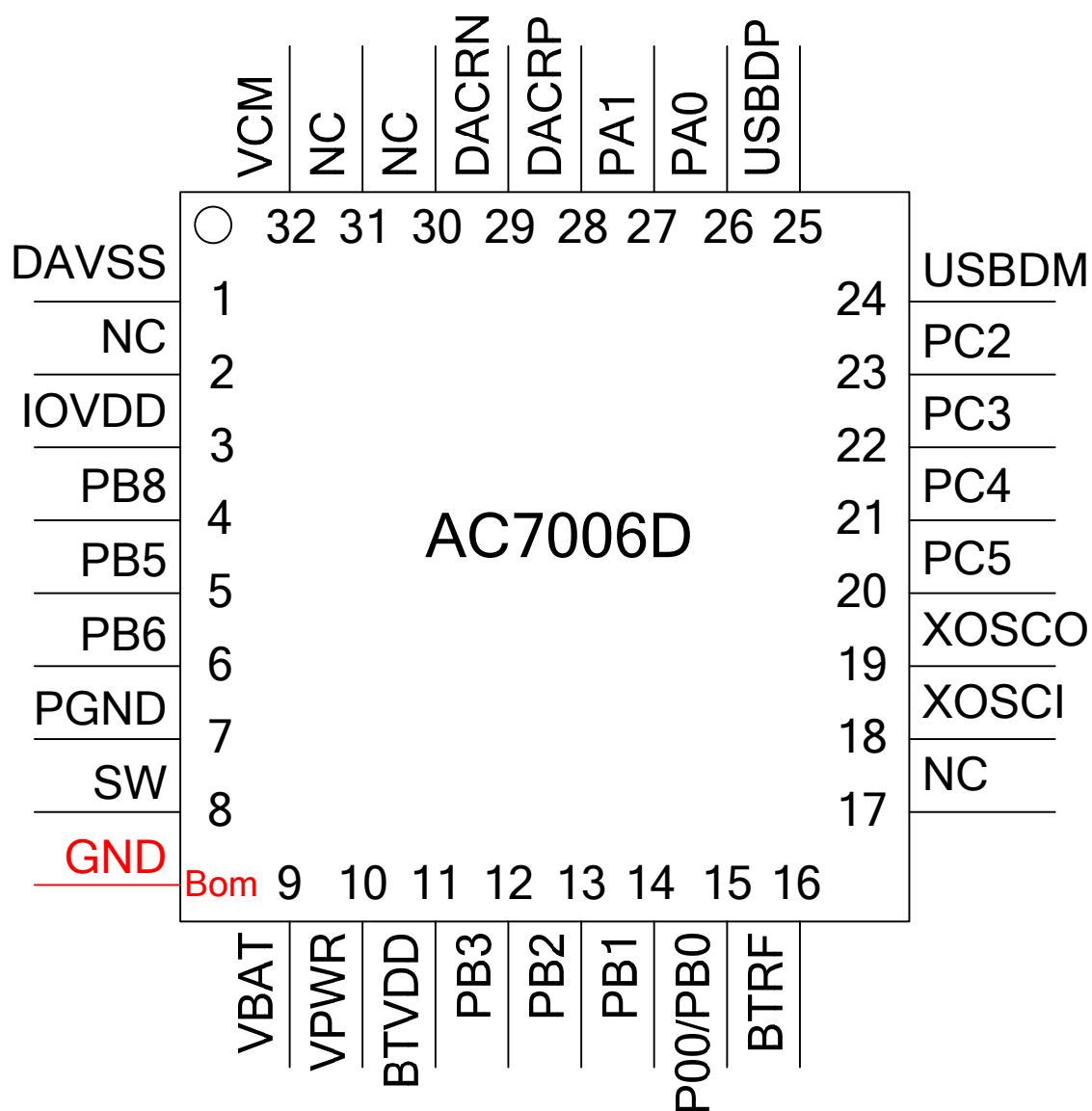


Figure 1-1 AC7006D Package Diagram

1.2 Pin Description

Table 1-1 AC7006D Pin Description

PIN NO.	Name	I/O Type	Drive (mA) 4 level	Function	Other Function
1	DAVSS	P	/		Analog Ground
2	NC				
3	IOVDD	PO	/		IO Power 3.3v
4	PB8	I/O	2.4~64	GPIO	AIN_B0: MIC1: MIC1 Input Channel; MIC1_P: Different MIC1 Positive AMUX_B0: Analog Channel B0 L/R Input; UART0RXB: Uart0 Data Input(B); CAP4: Timer4 Capture;
5	PB5	I/O	2.4~64	GPIO	LP_TH4: Low Power Touch Channel 4 UART1TXA: Uart1 Data Output(A);
6	PB6	I/O	2.4~64	GPIO	ADC9: ADC Input Channel 9; UART1RXA: Uart1 Data Input(A); PWM2: Timer2 PWM Output;
7	PGND	P	/		DCDC Ground
8	SW	P	/		DCDC switch output, connected to inductor
9	VBAT	PI	/		Power Supply, connect to battery
10	VPWR	PI	/		Charge Power Input;
		I/O	8	GPIO	High Voltage Resistance I/O; UART0TXC: Uart0 Data Output(C); UART0RXC: Uart0 Data Input(C); PWM3: Timer3 PWM Output; CAP1: Timer1 Capture;
11	BTVDD	PO	/	GPIO	BT Power
12	PB3	I/O	2.4~64	GPIO	
	EVDD	PO	/		EVDD: Supply voltage to Peripherals
13	PB2	I/O	2.4~64	GPIO	LP_TH2: Low Power Touch Channel 2 ADC7: ADC Input Channel 7; CAP5: Timer5 Capture; UART2RXC: Uart2 Data Input(C);

Confidential

The information contained herein is the exclusive property of JIELI and shall not be distributed, reproduced, or disclosed in whole or in part without prior written permission of JIELI.

					SPI2DOC: SPI2 Data Out(C);
14	PB1	I/O	2.4~64	GPIO (pull up)	Long Press Reset; LP_TH1: Low Power Touch Channel 1 UART2TXC: Uart2 Data Output(C) ADC6: ADC Input Channel 6; SPI2CLKC: SPI2 Clk(C);
15	P00	I/O	8		Test pin
	PB0	I/O	2.4~64		LP_TH0: Low Power Touch Channel 0 SPI2DIC: SPI2 Data Input(C); ALNK_MCLK(B): ALNK Master Clock(B); TMR4: Timer4 Clock Input;
16	BTRF	/	/		BT Antenna
17	NC				
18	XOSCI	I	/		XOSC In
19	XOSCO	O	/		XOSC Out
20	PC5	I/O	2.4~64	GPIO	SD0CLKA: SD0 Clock(A); UART2RXD: Uart2 Data Input(D); SPI1DOB: SPI1 Data Out(B); ALNK_DAT3(B): Audio Link Data3(B); IIC_SDA_B: IIC SDA(B); ADC5: ADC Input Channel 5;
21	PC4	I/O	2.4~64	GPIO	SD0CMDA: SD0 CMD(A); UART2TXD: Uart2 Data Output(D); SPI1CLKB: SPI1 Clock(B); ALNK_DAT2(B): Audio Link Data2(B); IIC_SCL_B: IIC SCL(B); ADC4: ADC Input Channel 4; PWM4: Timer4 PWM Output;
22	PC3	I/O	2.4~64	GPIO	SD0DATA: SD0 Data(A); UART0RXD: Uart0 Data Input(D); SPI1DIB: SPI1 Data In(B); ALNK_LRCK(B): Audio Link Word Select(B); IIC_SDA_C: IIC SDA(C); TMR3: Timer3 Clock Input;
23	PC2	I/O	2.4~64	GPIO	ALNK_SCLK(B): Audio Link Serial Clock(B); IIC_SCL_C: IIC SCL(C); UART0TXD: Uart0 Data Output(D); TMR1: Timer1 Clock Input;
24	USBDM	I/O	4	USB Negative Data	UART1RXD: Uart1 Data Input(D); IIC_SDA_A: IIC SDA(A); ADC11: ADC Input Channel 11;

Confidential

The information contained herein is the exclusive property of JIELI and shall not be distributed, reproduced, or disclosed in whole or in part without prior written permission of JIELI.

					SPI2DOB: SPI2 Data Out(B); ISP_DI:
25	USBDP	I/O	4	USB Positive Data	UART1TXD: Uart1 Data Output(D); IIC_SCL_A: IIC SCL(A); ADC10: ADC Input Channel 10; SPI2CLKB: SPI2 Clock(B); ISP_CLK:
26	PA0	I/O	2.4~64	GPIO	MIC_LDO: MIC Power Supply
27	PA1	I/O	2.4~64	GPIO	AIN_A0: MIC0: MIC0 Input Channel ; MIC0_P: Different MIC0 Positive AMUX_A0: Analog Channel A0 L/R Input; PWM0: Timer0 PWM Output; UART1TXC: Uart1 Data Output(C);
28	DACRP	O	/		Different DAC Right Positive Channel
29	DACRN	O	/		Different DAC Right Negative Channel
30	NC				
31	NC				
32	VCM	P	/		DAC reference voltage
/	Bom	P	/		Ground

P: Power or Ground PO:Power Output PI:Power Input I/O:Input or Output I:Input O:Output

Confidential

The information contained herein is the exclusive property of JIELI and shall not be distributed, reproduced, or disclosed in whole or in part without prior written permission of JIELI.

2、Electrical Characteristics

2.1 Absolute Maximum Ratings

Table 2-1

Symbol	Parameter	Min	Max	Unit
Topt	Operating temperature	-40	+85	°C
Tstg	Storage temperature	-65	+150	°C
VBAT	Supply Voltage	-0.3	4.5	V
VPWR	Charger Voltage	-0.3	6	V
V _{3.0IO}	3.0V IO Input Voltage (IOVDD)	-0.3	3.6	V

Note : The chip can be damaged by any stress in excess of the absolute maximum ratings listed below

2.2 PMU Characteristics

Table 2-2

Symbol	Parameter	Min	Typ	Max	Unit	Test Conditions
VBAT	Voltage Input	2.2	3.7	4.4	V	
VPWR	Charger supply Voltage	4.5	5.0	5.5	V	
Normal mode						
IOVDD	Voltage output	–	3.0	–	V	VBAT = 4.2V, 10mA loading
	Loading current	–	–	100	mA	IOVDD=3.0V@VBAT = 4.2V
BTVDD	Voltage output	–	1.25	–	V	IOVDD=3.0V, 10mA loading
	Loading current	–	–	60	mA	BTVDD=1.25V@IOVDD=3.0v
EVDD	Voltage output	–	1.1	–	V	BTVDD=1.25V, 1mA loading
	Loading current	–	–	5	mA	EVDD=1.1V@BTVDD=1.25v
LP mode						
IOVDD	Loading current			5	mA	IOVDD=3V@VBAT = 4.2V

2.3 Battery Charge

Table 2-3

Symbol	Parameter	Min	Typ	Max	Unit	Test Conditions
VPWR	Charge Input Voltage	4.5	5	5.5	V	–

V _{Charge}	Charge Voltage	4.15	4.2	4.25	V	VPWR>4.5V
		4.30	4.35	4.40	V	VPWR>4.65V
I _{Charge}	Charge Current	20		200	mA	Charge current at fast charge mode
I _{Trinkl}	Trickle Charge Current	20	45	70	mA	V _{BAT} <V _{Trinkl}

2.4 IO Input/Output Electrical Logical Characteristics

Table 2-4

IO input characteristics						
Symbol	Parameter	Min	Typ	Max	Unit	Test Conditions
V _{IL}	Low-Level Input Voltage	-0.3	–	0.3* IOVDD	V	IOVDD = 3.0V
V _{IH}	High-Level Input Voltage	0.7* IOVDD	–	IOVDD+0.3	V	IOVDD= 3.0V
IO output characteristics						
V _{OL}	Low-Level Output Voltage	–	–	0.33	V	IOVDD= 3.0V
V _{OH}	High-Level Output Voltage	2.7	–	–	V	IOVDD = 3.0V

2.5 Internal Resistor Characteristics

Table 2-5

Port	Drive(mA)				Internal Pull-Up Resistor	Internal Pull-Down Resistor	Comment
PA0~PA3 PB0~PB8 PC2~PC5	2.4	8	26.4	64	10K	10K	1、PB1 default pull up 2、USBDM & USBDP default pull Down 3、PC0, PP0(VPWR), P00 are high voltage resistance to 5V 4、internal pull-up/pull-down resistance accuracy ±20%
PP0(VPWR), P00	8				10K	10K	
USBDP	4				1.5K	15K	
USBDM	4				180K	15K	

2.6 DAC Characteristics

Table 2-6

Parameter	Min	Typ	Max	Unit	Audio Format	Test Conditions
-----------	-----	-----	-----	------	--------------	-----------------

Confidential

The information contained herein is the exclusive property of JIELI and shall not be distributed, reproduced, or disclosed in whole or in part without prior written permission of JIELI.

Frequency Response	20	–	20K	Hz	–	Differential Mode 1KHz/0dB 32 ohm loading With A-Weighted Filter
Output Swing		0.55	0.74	Vrms	–	
THD+N	–	-76	–	dB	PCM	
	–	-68.7	–	dB	SBC	
S/N	–	100.4	102	dB	PCM	
	–	98.7	–	dB	SBC	
Dynamic Range	–	100	–	dB	PCM	
	–	99.1	–	dB	SBC	
Noise Floor		6.0		uV	–	A-Weighted Filter
DAC Output Power	–	9.5	17.0	mW	–	Differential Mode 32ohm loading

2.7 ADC Characteristics

Table 2-7

Parameter	Min	Typ	Max	Unit	Test Conditions
Dynamic Range		95		dB	Fsample=44.1kHz Fin=1KHz 2mVpp Input
S/N	–	95	–	dB	Fsample=44.1kHz Fin=1KHz 2Vpp Input
THD+N	–	-72	–	dB	
Crosstalk	–	-80	–	dB	

2.8 BT Characteristics

2.8.1 Transmitter

Basic Data Rate

Table 2-8

Parameter	Min	Typ	Max	Unit	Test Conditions
RF Transmit Power		7.4	8	dBm	25°C, Power Supply VBAT=3.7V 2441MHz 2 Layer Board
RF Power Control Range		18.4		dB	
20dB Bandwidth		950		KHz	
Adjacent Channel	+2MHz	-40		dBm	
	-2MHz	-38		dBm	
Transmit Power	+3MHz	-44		dBm	
	-3MHz	-35		dBm	

Confidential

The information contained herein is the exclusive property of JIELI and shall not be distributed, reproduced, or disclosed in whole or in part without prior written permission of JIELI.

Enhanced Data Rate**Table 2-9**

Parameter		Min	Typ	Max	Unit	Test Conditions
Relative Power			-1.2		dB	25°C, Power Supply VBAT=3.7V
Modulation Accuracy	DEVM RMS	6	9.8		%	
	DEVM 99%	10	17.8		%	
	DEVM Peak	15	21.9		%	
Adjacent Channel	+2MHz		-40		dBm	2441MHz 2 Layer Board
	-2MHz		-38		dBm	
Transmit Power	+3MHz		-44		dBm	
	-3MHz		-35		dBm	

2.8.2 Receiver**Basic Data Rate****Table 2-10**

Parameter		Min	Typ	Max	Unit	Test Conditions
Sensitivity			-92		dBm	25°C, Power Supply VBAT=3.7V
Co-channel Interference Rejection			-10		dB	
Adjacent Channel	+1MHz		+4		dB	
	-1MHz		+2		dB	
	+2MHz		+38		dB	
Interference Rejection	-2MHz		+38		dB	2441MHz DH5 2 Layer Board
	+3MHz		>+40		dB	
	-3MHz		+34		dB	

Enhanced Data Rate**Table 2-11**

Parameter		Min	Typ	Max	Unit	Test Conditions
Sensitivity			-93		dBm	25°C, Power Supply VBAT=3.7V
Co-channel Interference Rejection			-11		dB	
Adjacent Channel	+1MHz		+4		dB	
	-1MHz		+2		dB	
	+2MHz		+38		dB	
Interference Rejection	-2MHz		+38		dB	2441MHz 2DH5 2 Layer Board
	+3MHz		>+40		dB	
	-3MHz		+34		dB	

Confidential

The information contained herein is the exclusive property of JIELI and shall not be distributed, reproduced, or disclosed in whole or in part without prior written permission of JIELI.

3、 Package Information

3.1 QFN32_4.0x4.0

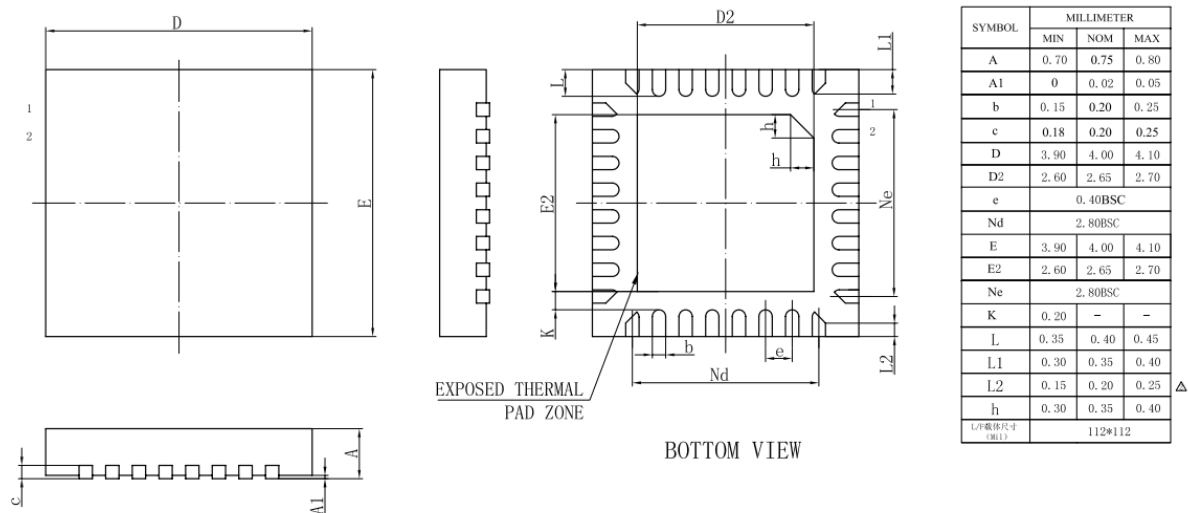


Figure 3-1 AC7006D Package

4、 Revision History

Date	Revision	Description
2021.05.27	V1.0	Initial Release
2021.08.03	V1.1	Update Pin Assignment, Update Bluetooth and profile Visions

Confidential

The information contained herein is the exclusive property of JIELI and shall not be distributed, reproduced, or disclosed in whole or in part without prior written permission of JIELI.